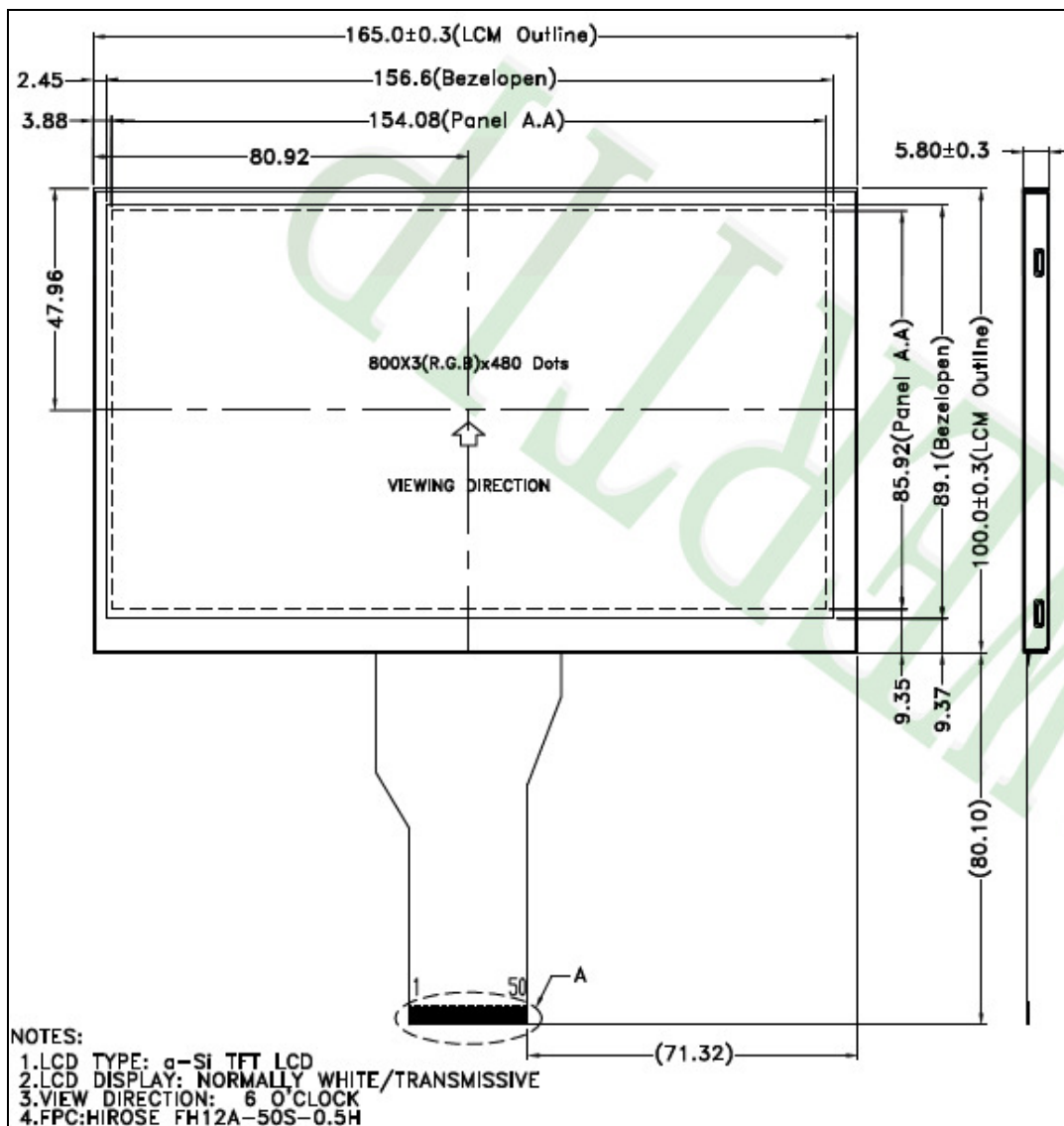


Dear Partners:

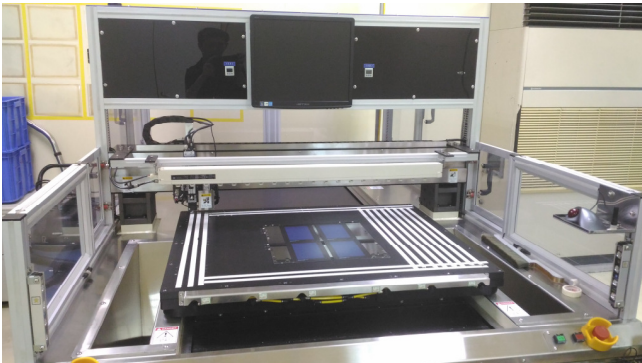
Winter season is coming and we are moving toward the end of Y2015 soon. Chinese New Year Holiday in Y2016 is from Feb. 6 to Feb. 14. Some employees may have annual leave earlier and it may affect the production capacity at the time period from end Jan., 2016 to middle Feb., 2016. For reminding purpose, please check the quantity demand and the order plan as earlier as possible.

- Ultra-brightness 7" TFT (1000cd/m² Typical)
Please refer to the following as mechanical design for reference. It is with 5.8mm thickness typical in concern of thermal effects. The LED Backlight electric parameter is 240mA, 9.5V typical. Please check with sales contact if there is any inquiry.



- CTP shape cutting and polished facility
Capability for OGS CTP shape cutting with edge polished. Please refer to the followings as facility and product example.

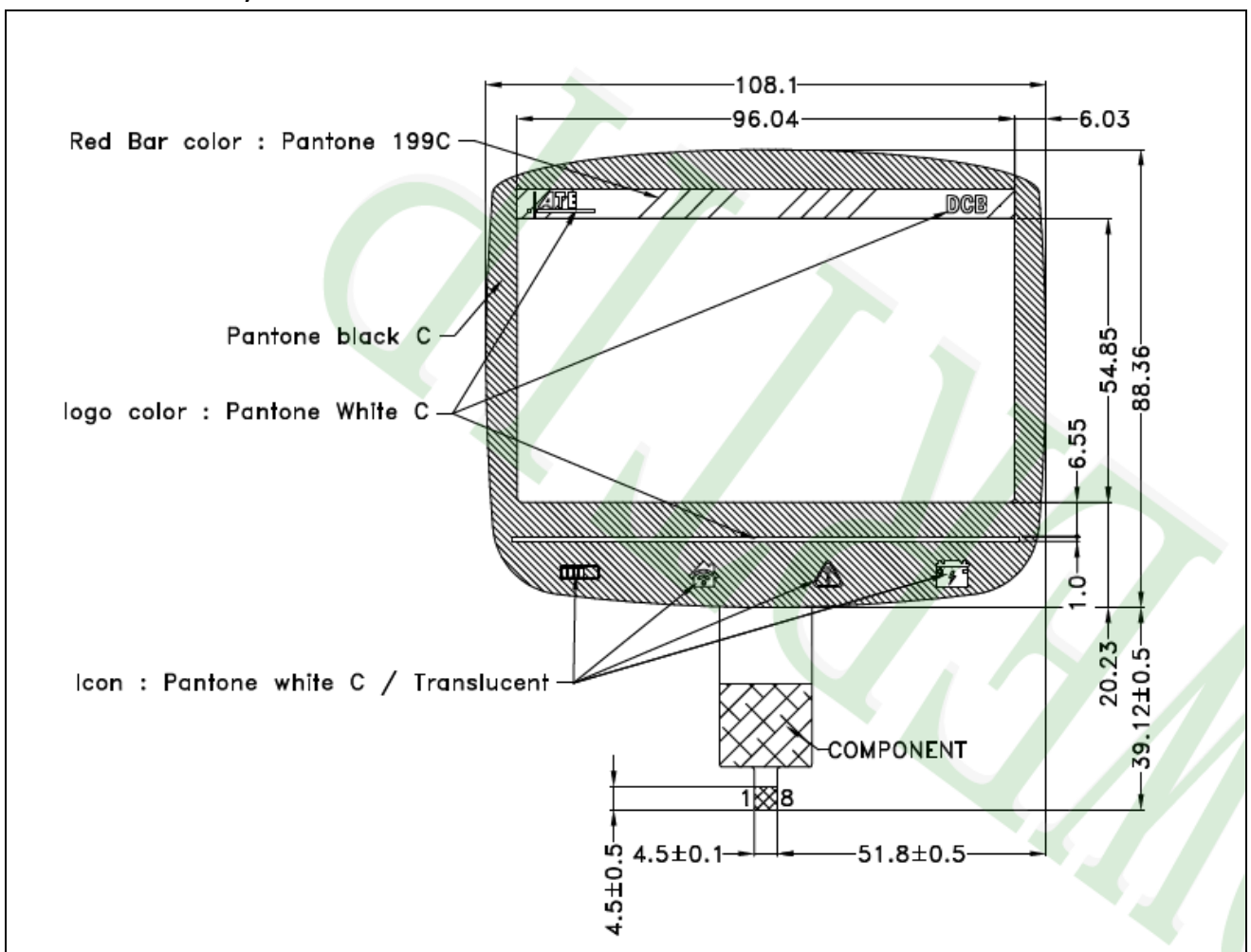
- Shape cutting machine



- Polished machine



- 4.3" OGS (one glass solution) capacitive touch panel, with shape cutting and three color printing. Please note the drawing below is a custom design product for reference only.

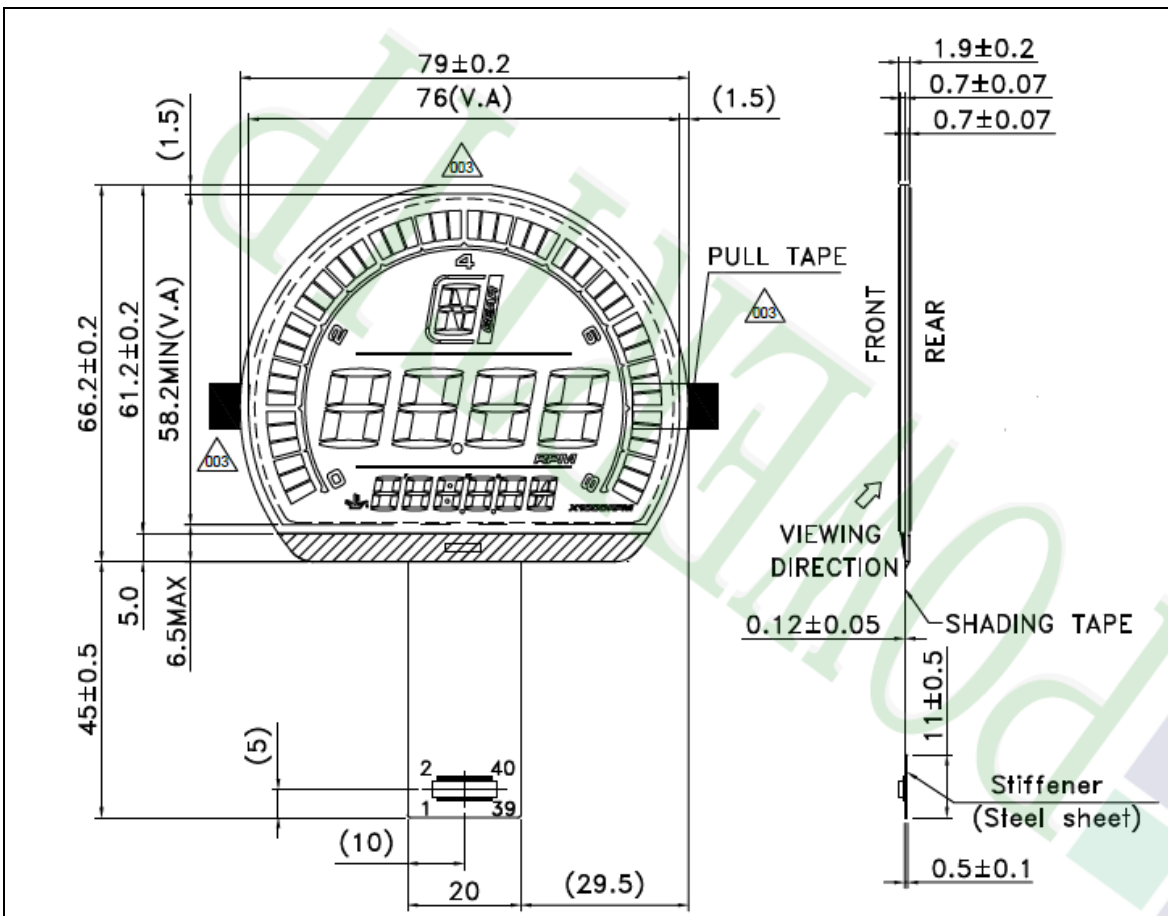


Please send inquiry to Powertip for cost effective solution of capacitive touch.

- LCD shape cutting facility



- STN, or VA type TN display with COG type and shaping cutting. Please note the drawing below is a custom design product for reference only.



- Please send inquiry to Powertip for custom design display which can meet customer's mechanical design request.